



LEADING BRAND OF OFFICE HEIGHT ADJUSTABLE TABLE

Headquarters: Zhejiang Jiechang

Add : Provincial High Tech Park, Xinchang County, Zhejiang Province, China
Tel : +86-575-86298598
Fax : +86-575-86297960
Web : www.jiechang.com
Email : sales@jiechang.com

Manufacturing Base : Ningbo Healthkey

Linxu Road & Chaosheng North Crossroad, Cidong Economic Development Area, Cixi, Ningbo, Zhejiang, China

Global Divisions

US Division

Add : 6 Centerpointe Drive, Suite 700 La Palma, CA 90623
Tel : 602-904-5181 ext.3
Fax : 562-716-8344
Web : www.jstar-usa.com
Email : john@jiechang.com

Germany Division

Add : Tiefenbroicher Weg 35 C2, 40472 Düsseldorf, Germany
Tel : +49(0)15222843019
Web : www.jstar-de.com
Email : jing@jstar-de.com

Japan Division

Add : 1-17-4, Nishisinbashi, Minatoku, Tokyo, 105-0003, Japan
Tel : 03-6206-6856
Fax : 03-6206-6857
Web : www.jstar-jp.com
Email : jstar@jiechang.co.jp

Guangzhou Office

Add : Room No.: 3706-3707, Fu li jin xi business center, No. 5, Fuchang Road, Zhuhai District, Guangzhou
Tel : 020-89114036
Email : sales17@jiechang.com

R&D centers

Headquarters R&D centers

Provincial High Tech Park, Xinchang County, Zhejiang Province, China

Hangzhou R&D centers

No. 369, Qianchao Road, Jiang gan District, Hangzhou, Zhejiang

Taiwan R&D centers

9 Floor, No. 311, West Huamei Street, Xitun District, Taizhong, Taiwan





The intelligent office working solution provided by JIECANG can maximally satisfy the customized demand including desk frame, lifting column, control box, handset and other components.

OUR ADVANTAGES

Zhejiang JIECANG Linear Motion Technology Co., Ltd was founded in 2000. It has been a state level high-tech enterprise focusing on linear motion R & D, production and sales after more than 10 years. At present, our company has formed three product systems including linear actuator, lifting column and control systems.

Our outstanding quality products, competitive prices, and reliable services will guarantee our clients to gain strong advantages over the competitors. We provide not only large scale but also specially customized productions based on our extensive connections and close cooperation with many large suppliers in this industry.



HIGHLY CUSTOMIZED PRODUCTS

JIECANG has a professional customized team to satisfy various requirements of customers in order to provide special support.



HIGH SAFETY STANDARDS

All products have passed the most strict laboratory testing and international certificates: UL, CE, SAA, PSE, KC, EN-527 and BIFMA.



INDUSTRY LEADING POSITION

JIECANG is the first listed company of putter industry. Our productivity ranks first in the industries.



PROFESSIONAL & EFFICIENT PRODUCTION

JIECANG has fully automated production line to ensure short lead time.



INNOVATION RESEARCH CENTER

JIECANG has a professional research team combined with mechanical, hardware, software developer, some of which are from America and Europe. We also found R & D Center in Hangzhou and Taiwan to make leading design.



GLOBAL AFTER-SALES SERVICE SYSTEM

JIECANG has founded wholly owned subsidiaries in America, Japan and German in order to provide convenient local service and technical support.

LIFTING COLUMN

Electric lifting column with comprehensive mechanical properties, high load capacity and stability, which can achieve synchronous lifting with low noise.

Lifting column is an important component of the lifting office work and learning. It is being applied to office desk, conference table, negotiating table and etc. Lifting Column can effectively solve the fatigue problem of sitting office, let the staff work more creatively.

FEATURES

Shape & Model

Rectangular, square, round and hexagonal styles

Optimal Design

With upgraded appearance, no-hole design

Flexible Expansion

2-stage or 3-stage lifting column selection.

Ultra-low Noise

Ultra-low noise during running

JS36DS1-3-S



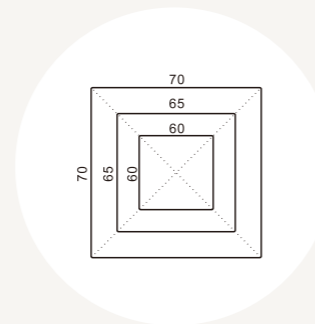
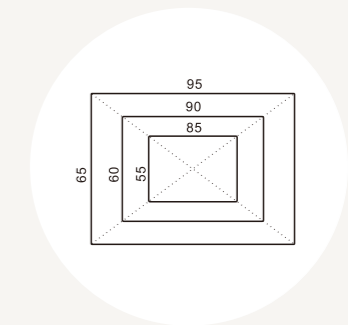
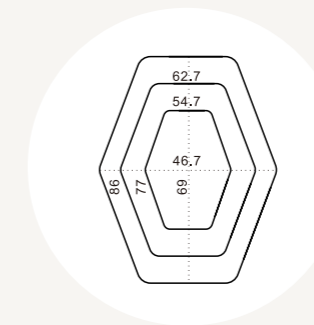
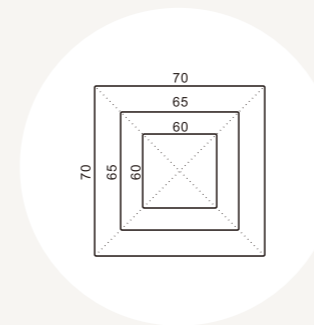
JS36DS1-3-R



JS36D6



JS36DR4-3-S

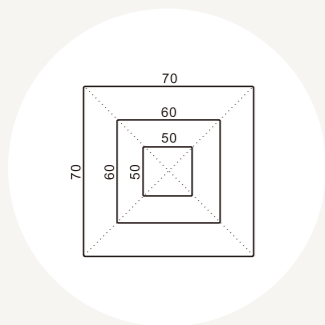


TECHNICAL PARAMETER

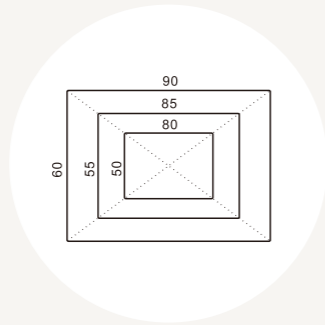
| model | JS36DS1-3-S | JS36DS1-3-R | JS36D6 | JS36DR4-3-S |
|---------------|-----------------|------------------|---------------|-------------|
| Stroke length | Lowest position | Highest position | Load capacity | Speed |
| 650mm | 560mm | 1210mm | 800N | 35mm/s |

※ The drawing shows the size of inner, middle and outer tube.

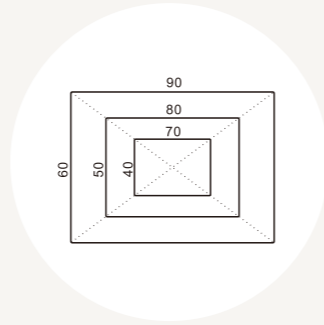
JS36DS3-3-S



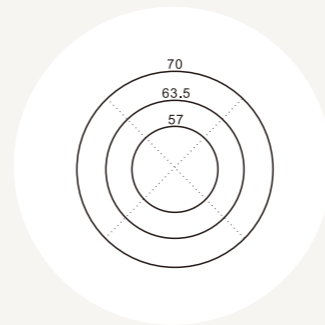
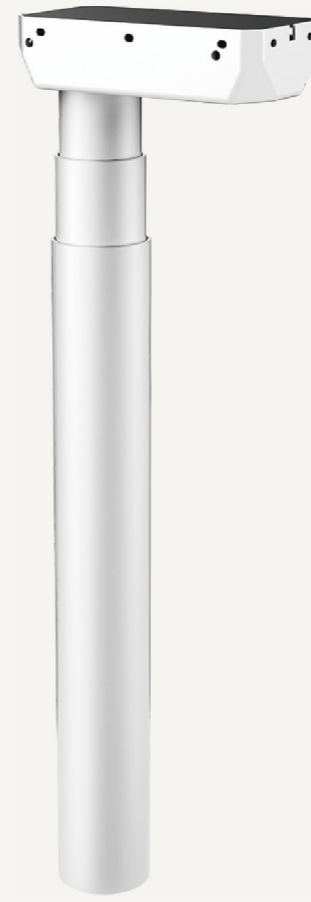
JS36DR2-3-S



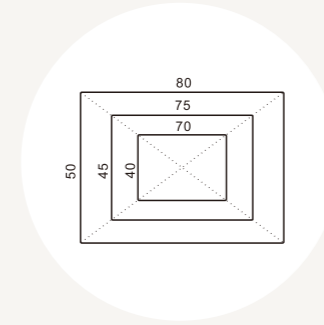
JS36DR3-3-S



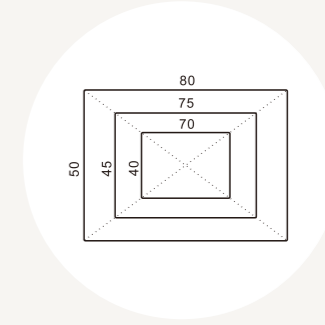
JS36DC1-3



JS36DR1-3-S



JS36DR1-3-R



TECHNICAL PARAMETER

| model | JS36DS3-3-S | JS36DR2-3-S | JS36DR3-3-S |
|---------------|-----------------|------------------|---------------|
| Stroke length | Lowest position | Highest position | Load capacity |
| 650mm | 560mm | 1210mm | 800N |
| | | | Speed |
| | | | 35mm/s |

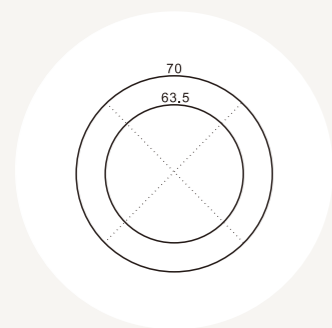
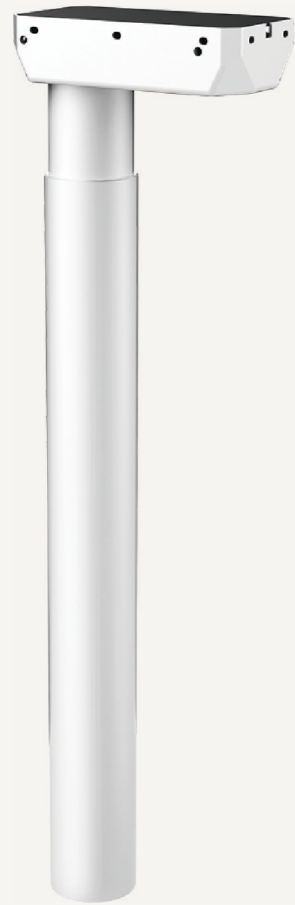
※ The drawing shows the size of inner, middle and outer tube.

TECHNICAL PARAMETER

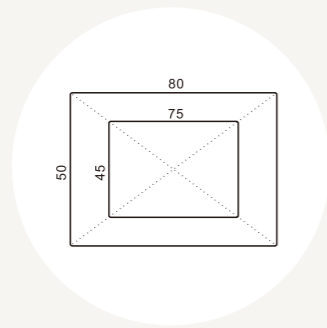
| model | JS36DC1-3 | JS36DR1-3-S | JS36DR1-3-R |
|---------------|-----------------|------------------|---------------|
| Stroke length | Lowest position | Highest position | Load capacity |
| 650mm | 560mm | 1210mm | 800N |
| | | | Speed |
| | | | 35mm/s |

※ The drawing shows the size of inner, middle and outer tube.

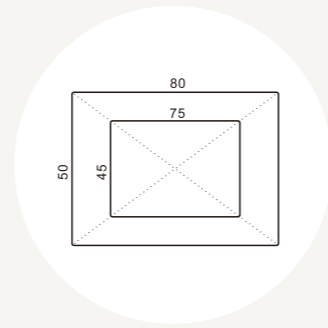
JS36DC1-2



JS36DR1-2-S



JS36DR1-2-R



3 STANDARD COLORS

Customized color Acceptable



Black (RAL 9005)



Gray (RAL 7045)



White (RAL 9016)

TECHNICAL PARAMETER

| model | JS36DC1-2 | JS36DR1-2-S | JS36DR1-2-R |
|---------------|-----------------|------------------|---------------|
| Stroke length | Lowest position | Highest position | Load capacity |
| 500mm | 650mm | 1150mm | 800N |
| | | | Speed |
| | | | 32mm/s |

* The drawing shows the size of inner, middle and outer tube.

LIFTING DESK FRAME

Standing office is a new type of office work.

Employees can choose to stand instead of sitting work in order to relax the body and the spirit.

Intelligent lifting can maintain a healthy and efficient office state.

- People's health and work efficiency will be seriously affected if they keep the head down and body forward. These postures will cause cervical, lumbar disease, weight gaining and many chronic diseases.
- Standing work doesn't have any negative effects of information processing and reading, but can improve the concentration and memory.
- The penetration rate of intelligent office table has reached 91% in European and American countries

FEATURES

Assembly Frame

Provide various forms of easy assembly frame to flexibly meet customer requirements for lifting table

Stable Structure

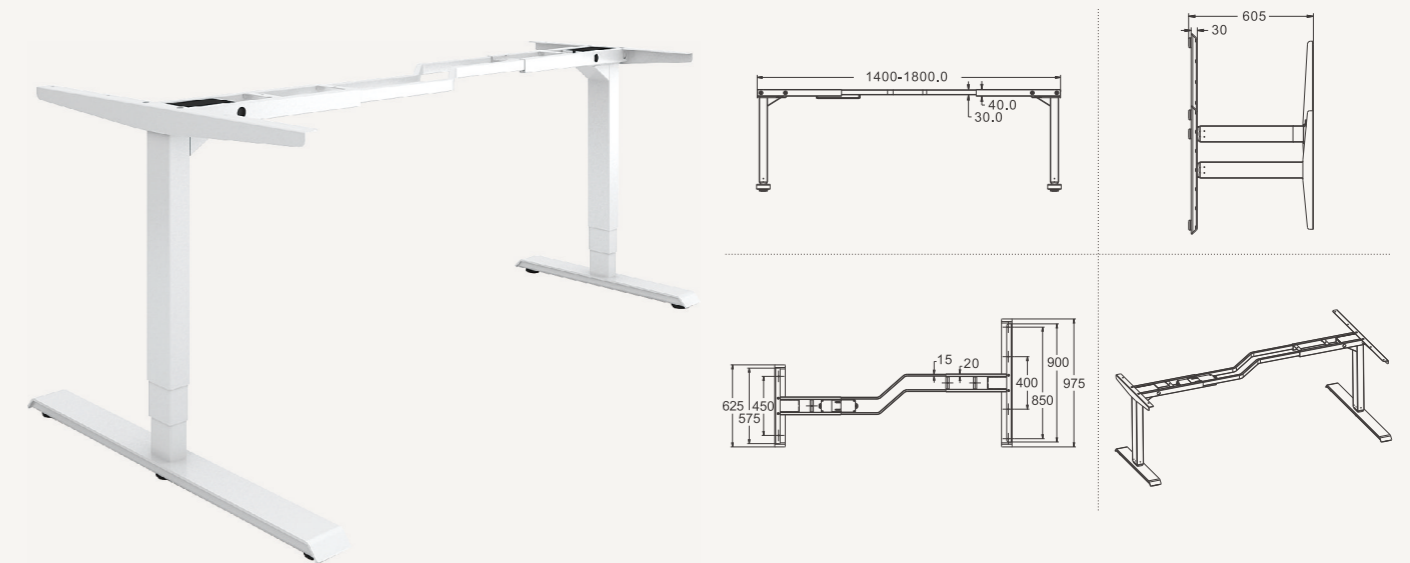
The stable frame structure has big load capacity, and meets the requirements of safe office work.

Light lifting

It is designed for quiet office environment with low noise.

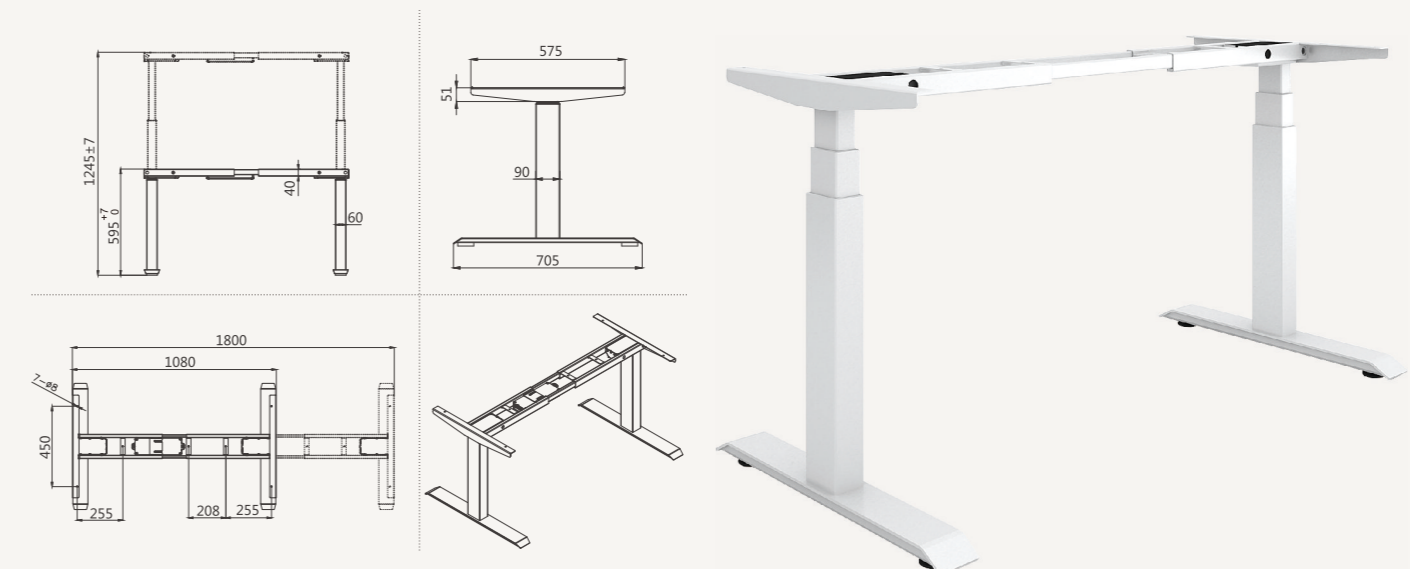
JC35TL-RS3

| | |
|------------------------------|-----------|
| Load capacity (N) | 1000 |
| Extended range of frame (mm) | 1400-1800 |



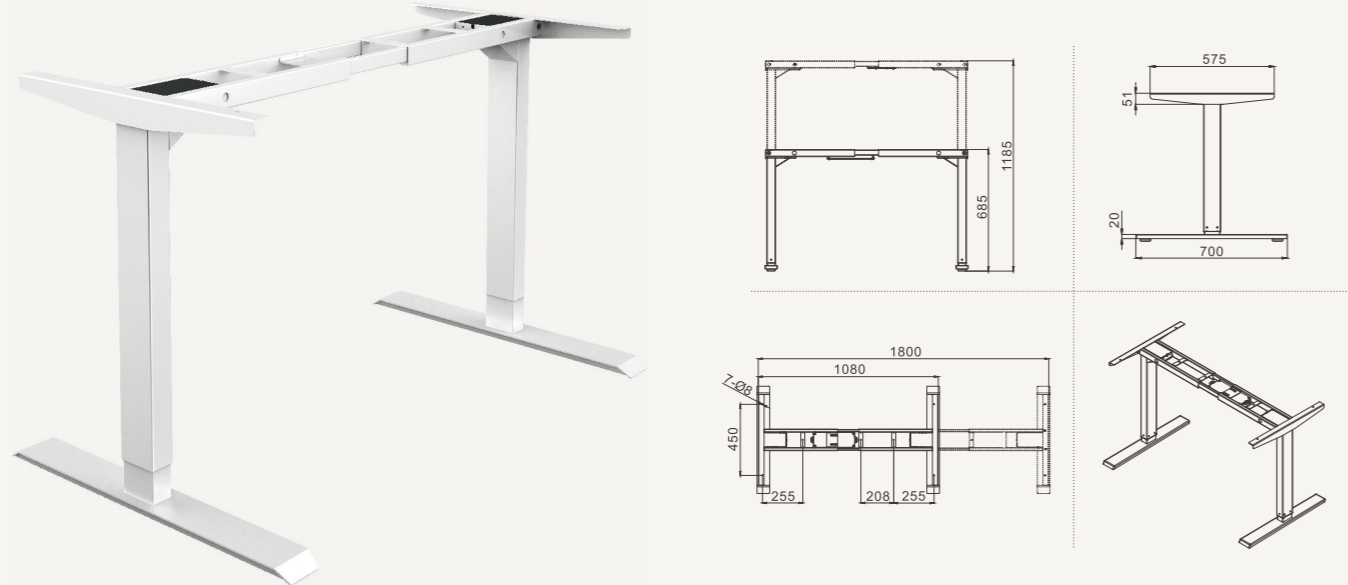
JC35TS-D10

| | |
|------------------------------|-----------|
| Load capacity (N) | 1000 |
| Extended range of frame (mm) | 1080-1800 |



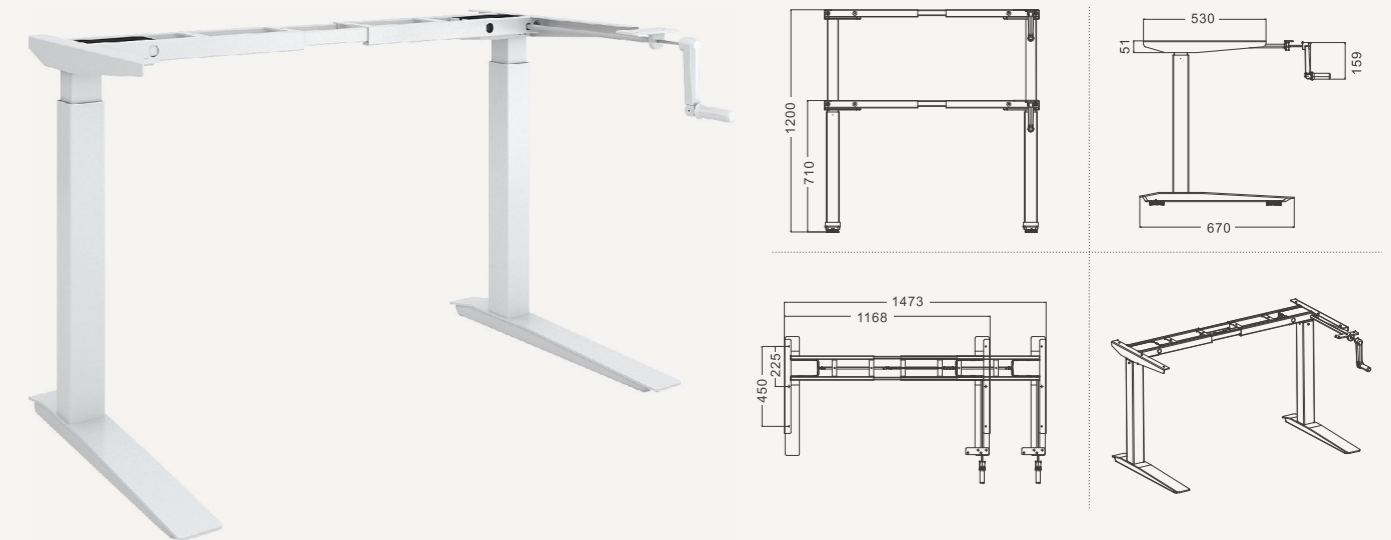
JC35TS-RS2

| | |
|------------------------------|-----------|
| Load capacity (N) | 1000 |
| Extended range of frame (mm) | 1080-1800 |



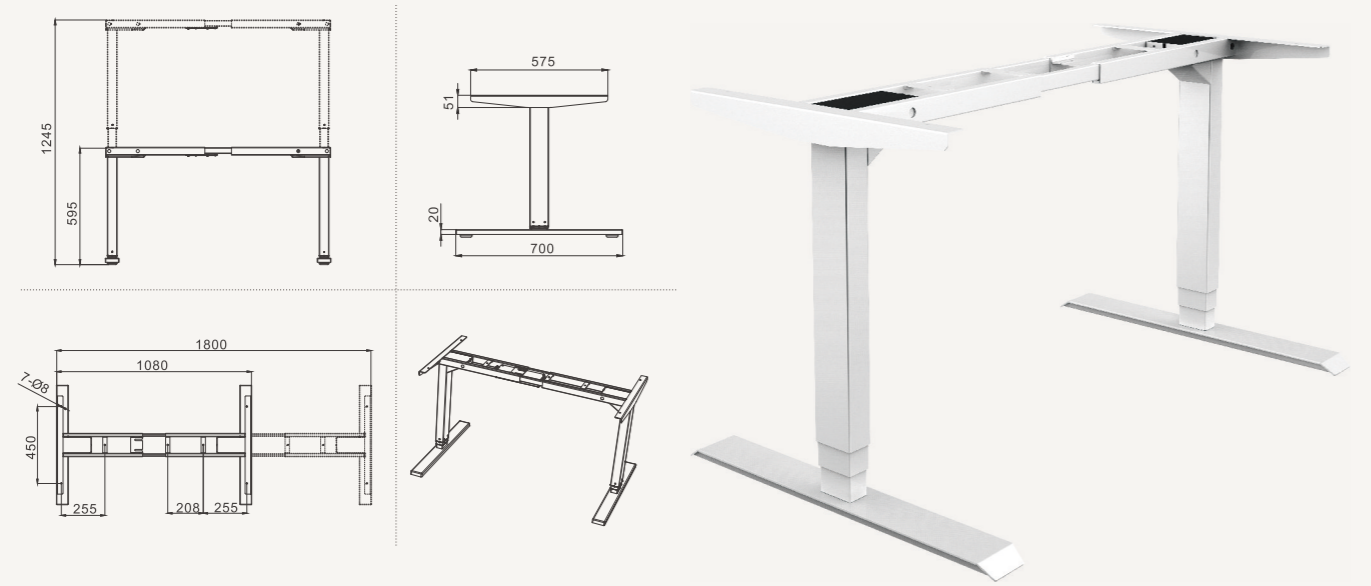
JSTH-2-SY01

| | |
|------------------------------|-----------|
| Load capacity (N) | 800 |
| Extended range of frame (mm) | 1168-1473 |



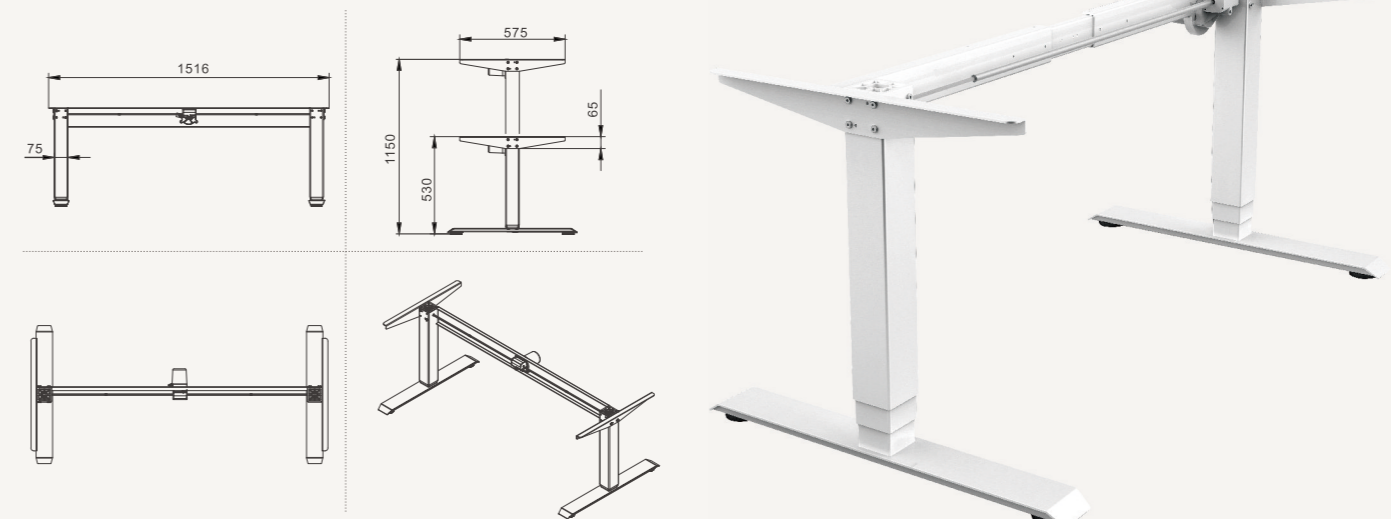
JC35TS-RS3

| | |
|------------------------------|-----------|
| Load capacity (N) | 1000 |
| Extended range of frame (mm) | 1080-1800 |



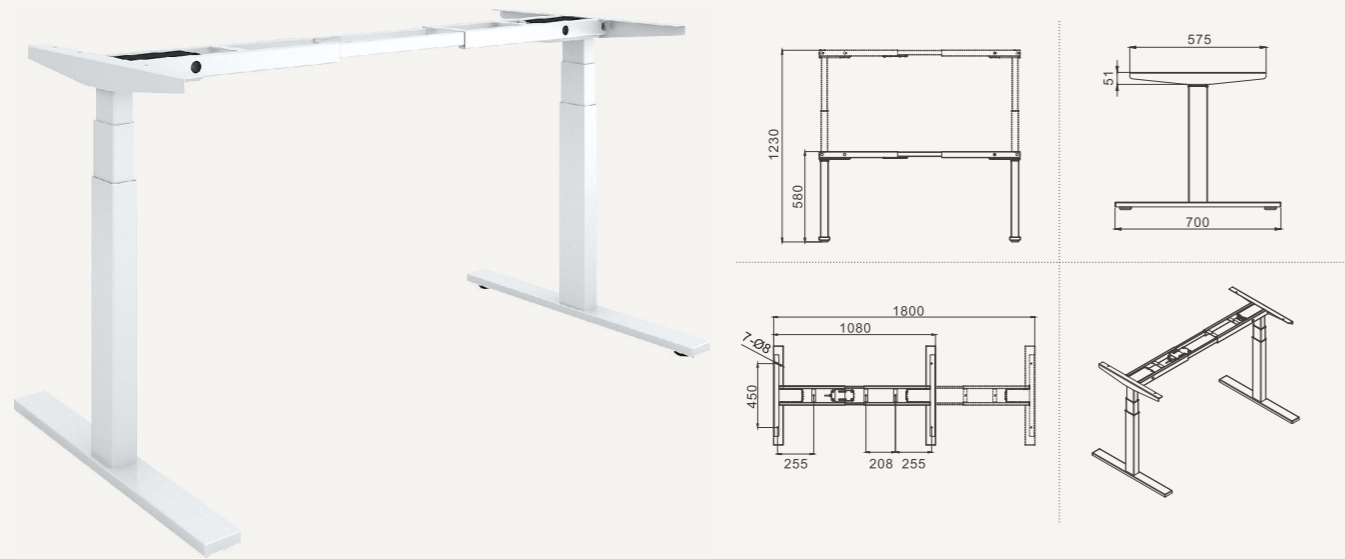
JC35TH3-A

| | |
|------------------------------|-----|
| Load capacity (N) | 800 |
| Extended range of frame (mm) | |



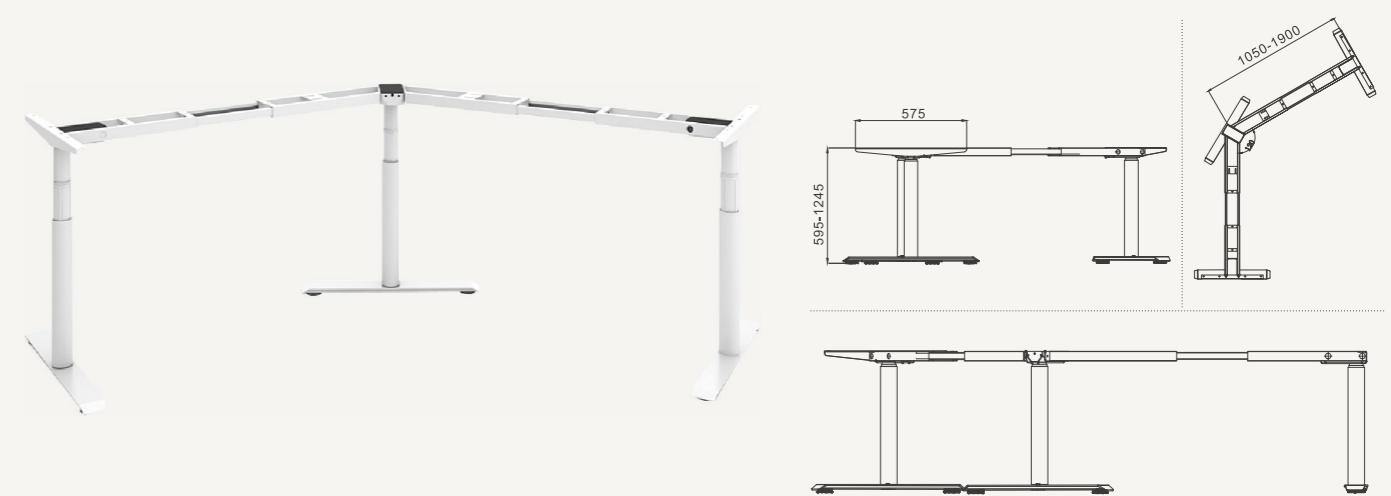
JC35TS-R1

| | |
|------------------------------|-----------|
| Load capacity (N) | 1000 |
| Extended range of frame (mm) | 1080-1800 |



JC35TT-120°-ED3

| | |
|------------------------------|-----------|
| Load capacity (N) | 1500 |
| Extended range of frame (mm) | 1050-1900 |



JC35TT-90°-ET3

| | |
|------------------------------|---------------|
| Load capacity (N) | 1500 |
| Extended range of frame (mm) | 1022.5-1872.5 |



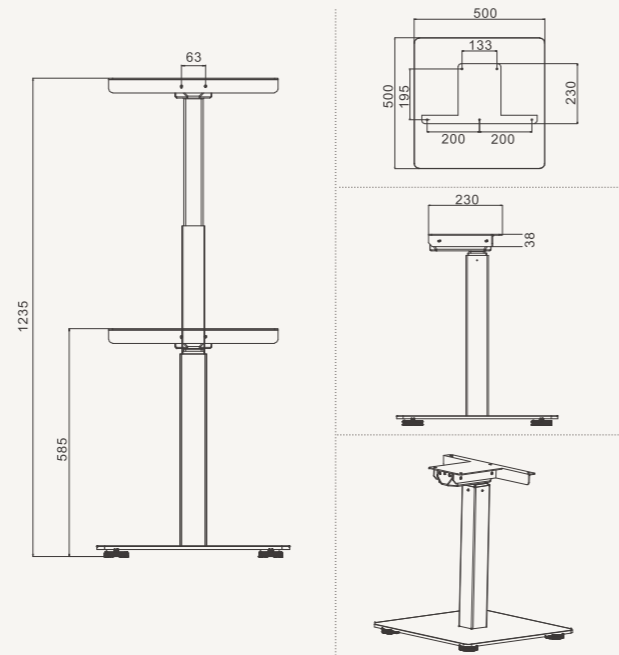
JC35TT-180°-ET2

| | |
|------------------------------|---------------|
| Load capacity (N) | 1500 |
| Extended range of frame (mm) | 1132.5-1982.5 |



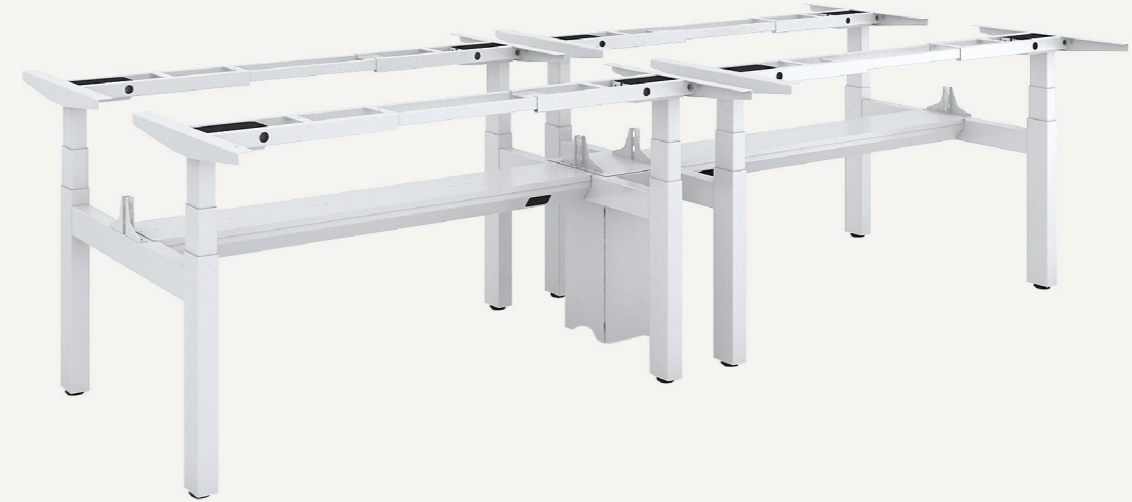
JC35QT-D8

| | |
|-------------------|------|
| Load capacity (N) | 1000 |
|-------------------|------|



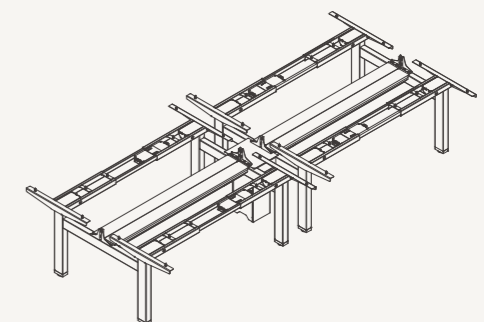
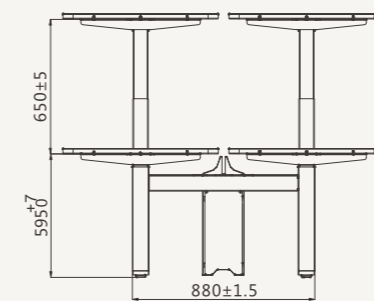
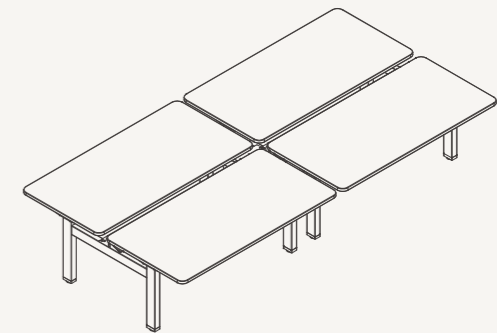
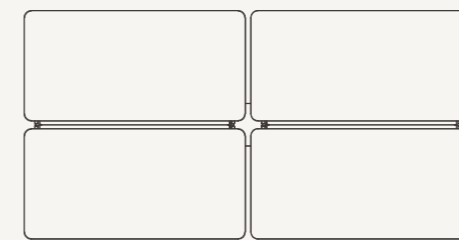
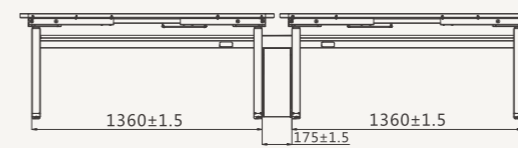
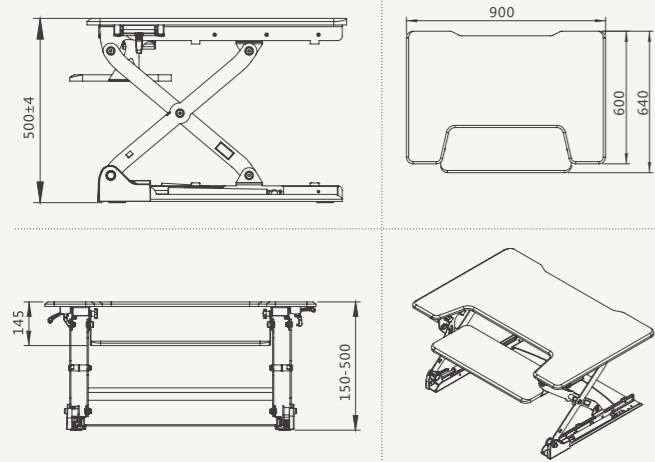
JC35TF-ET3

| | |
|------------------------------|------|
| Load capacity (N) | 1000 |
| Extended range of frame (mm) | 接受定制 |



J-DX01

| | |
|-------------------|---------|
| Load capacity (N) | 15Kg |
| 升降范围 (mm) | 150-500 |



CONTROL BOX

Core Technology, Intelligent Drive

Using advanced power management technology; the standby consumption is only 0.1W; green and environmental protection.

JIECANG can meet your need and provide reasonable power control system for each adjustable table.

FEATURES

Energy - saving power supply

Applied to intelligent office drive control system;
Standby consumption is 0.1W, environmental protection and power saving.

Advanced technology

Break through the technology limit, upgrade the power supply system,
Ensure stable operation at constant speed.

Delicate design

Simple & delicate appearance design to improve product level

TECHNICAL PARAMETER

| Model No. | JCB35N1 | JCB35N2 | JCB35N3 | JCB35N4 |
|--------------------|---------|---------|---------|---------|
| Column connect No. | 1-2 | 1-2 | 1-3 | 1-4 |
| Output Voltage | 33 | 33 | 33 | 33 |
| Input Voltage | 120/230 | 120/230 | 120/230 | 100-240 |



JCB35N1



JCB35N2



JCB35N3



JCB35N4

HANDSET

Intelligent control system leads the office trend in the future

With technological quality, sensitive operation & intelligent adjustment JIECANG handset has high-definition digital LED, which display the real height of table. The lift buttons and 4 memory buttons help to record your favorite office height. In the course of operation, you don't need to distract too much energy and could focus on high-quality work.

FEATURES

High digital display

display the real height, with memory buttons, record your favorite office height.

Sensitive Operation

Self-defined touch operation, rapid response, intelligent adjust the height of worktable.

Succinct design

Using modern design concept, perfect lines and proportion to create the hand-control interface with a sense of technology beauty.



JCHT35M5(Retracted)

- Touch Screen
- Black
- Extent-retract
- LED Displays Actual Height



JCHT35M5(Stretched)

- Touch Screen
- Black
- Extent-retract
- LED Displays Actual Height



JCHT35K

- 4 Memory Buttons
- Black
- LED Displays Actual Height



JCHT35J

4 Memory Buttons

Black

LED Displays Actual Height



JCHT35K7

2 Memory Buttons

White

LED Displays Actual Height



JCHT35L

Rise and Fall button

Black



JCHT35M1A

Touch Screen With Blue Backlight

White

LED Displays Actual Height



JCHT35K8

2 Memory Buttons

Black

LED Displays Actual Height



JCHT35M1B

Touch Screen With Blue Backlight

White

LED Displays Actual Height